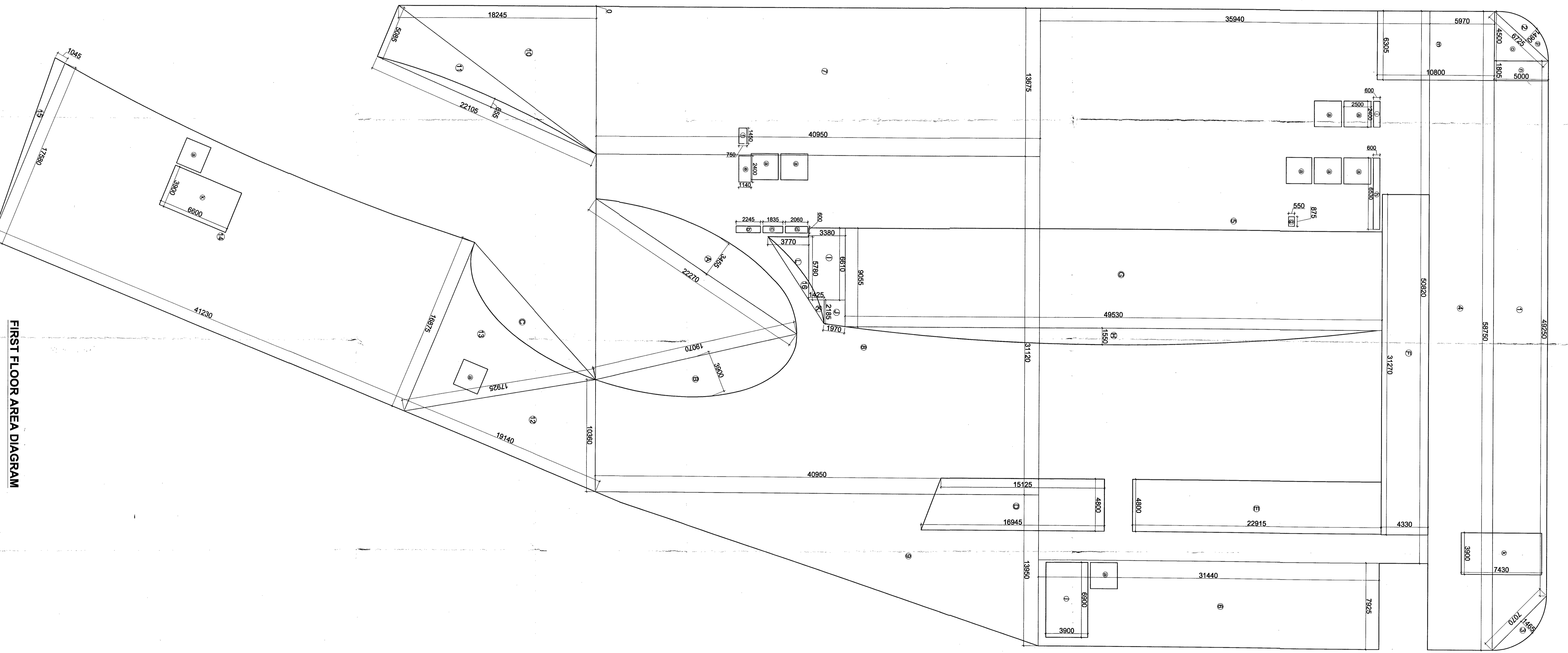


GROUND FLOOR AREA DIAGRAM

**AREA STATEMENT FOR GROUND FLOOR**

NO.	DESCRIPTION	AREA (SQ. MTS)	TOTAL AREA (SQ. MTS)
1	0.5 X 1.480 X 2700.0	2700.0	
2	1.333 X 1.480 X 11120.0	14800.0	
3	1.333 X 1.480 X 11120.0	14800.0	
4	1.333 X 1.480 X 11120.0	14800.0	
5	1.333 X 1.480 X 11120.0	14800.0	
6	1.333 X 1.480 X 11120.0	14800.0	
7	1.333 X 1.480 X 11120.0	14800.0	
8	1.333 X 1.480 X 11120.0	14800.0	
9	1.333 X 1.480 X 11120.0	14800.0	
10	1.333 X 1.480 X 11120.0	14800.0	
11	1.333 X 1.480 X 11120.0	14800.0	
12	1.333 X 1.480 X 11120.0	14800.0	
13	1.333 X 1.480 X 11120.0	14800.0	
14	1.333 X 1.480 X 11120.0	14800.0	
15	1.333 X 1.480 X 11120.0	14800.0	
16	1.333 X 1.480 X 11120.0	14800.0	
<b>DEDUCTIONS (D1)</b>			
A	1.333 X 3.000 X 11120.0	44400.0	
B	1.333 X 3.000 X 11120.0	44400.0	
C	1.333 X 3.000 X 11120.0	44400.0	
D	1.333 X 3.000 X 11120.0	44400.0	
E	1.333 X 3.000 X 11120.0	44400.0	
F	1.333 X 3.000 X 11120.0	44400.0	
G	1.333 X 3.000 X 11120.0	44400.0	
H	1.333 X 3.000 X 11120.0	44400.0	
I	1.333 X 3.000 X 11120.0	44400.0	
J	1.333 X 3.000 X 11120.0	44400.0	
K	1.333 X 3.000 X 11120.0	44400.0	
L	1.333 X 3.000 X 11120.0	44400.0	
<b>TOTAL AREA (D1)</b>			
<b>TOTAL FLOOR AREA = (A-D1) = (60081.44 - 1055.023)</b>			<b>59026.42</b>



FIRST FLOOR AREA DIAGRAM

**AREA STATEMENT FOR FIRST FLOOR**

NO.	DESCRIPTION	AREA (SQ. MTS)	TOTAL AREA (SQ. MTS)
1	0.5 X 1.480 X 2700.0	2700.0	
2	1.333 X 1.480 X 11120.0	14800.0	
3	1.333 X 1.480 X 11120.0	14800.0	
4	1.333 X 1.480 X 11120.0	14800.0	
5	1.333 X 1.480 X 11120.0	14800.0	
6	1.333 X 1.480 X 11120.0	14800.0	
7	1.333 X 1.480 X 11120.0	14800.0	
8	1.333 X 1.480 X 11120.0	14800.0	
9	1.333 X 1.480 X 11120.0	14800.0	
10	1.333 X 1.480 X 11120.0	14800.0	
11	1.333 X 1.480 X 11120.0	14800.0	
12	1.333 X 1.480 X 11120.0	14800.0	
13	1.333 X 1.480 X 11120.0	14800.0	
14	1.333 X 1.480 X 11120.0	14800.0	
15	1.333 X 1.480 X 11120.0	14800.0	
16	1.333 X 1.480 X 11120.0	14800.0	
<b>DEDUCTIONS (D1)</b>			
A	1.333 X 3.000 X 11120.0	44400.0	
B	1.333 X 3.000 X 11120.0	44400.0	
C	1.333 X 3.000 X 11120.0	44400.0	
D	1.333 X 3.000 X 11120.0	44400.0	
E	1.333 X 3.000 X 11120.0	44400.0	
F	1.333 X 3.000 X 11120.0	44400.0	
G	1.333 X 3.000 X 11120.0	44400.0	
H	1.333 X 3.000 X 11120.0	44400.0	
I	1.333 X 3.000 X 11120.0	44400.0	
J	1.333 X 3.000 X 11120.0	44400.0	
K	1.333 X 3.000 X 11120.0	44400.0	
L	1.333 X 3.000 X 11120.0	44400.0	
<b>TOTAL AREA (D1)</b>			
<b>TOTAL FLOOR AREA = (A-D1) = (60081.44 - 1258.871)</b>			<b>58822.57</b>

**PROPOSED BUILDING PLAN OF COMMERCIAL COLONY ON THE LAND...**

**AREA CALCULATION** 1:100

DATE: 7

ARCHITECT'S SIGN: [Signature]

SEAL: [Seal]

CONTRACTOR'S SIGN: [Signature]

SEAL: [Seal]

**AREA STATEMENT FOR FIRST FLOOR**

**SANCTIONED**

DATE: 14/06/2013

NO. 14/06/2013

1:100

ARCHITECT'S SIGN: [Signature]

SEAL: [Seal]

CONTRACTOR'S SIGN: [Signature]

SEAL: [Seal]